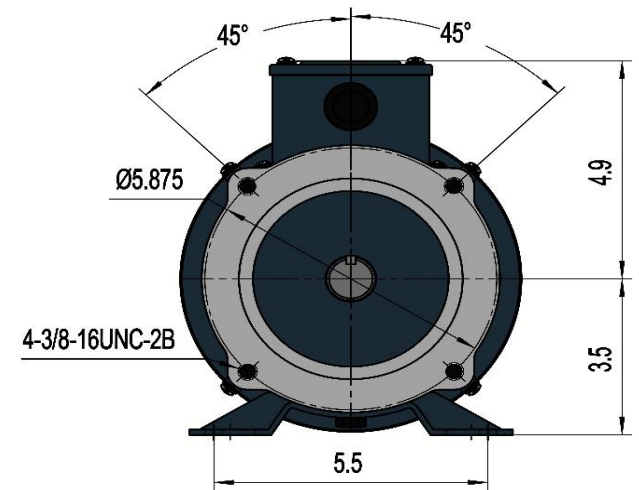
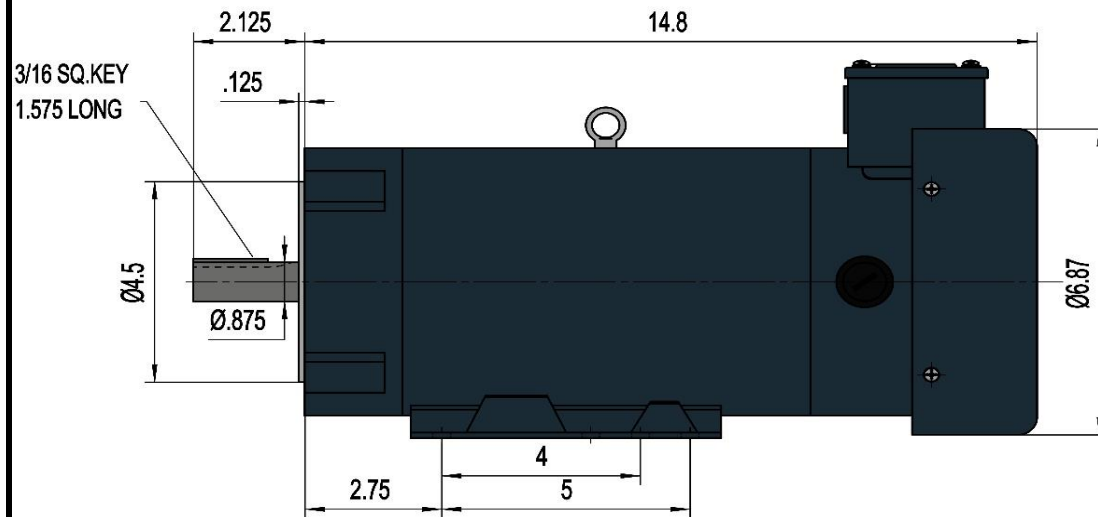


MaxMotion



Customer is responsible in determining that MaxMotion product will fit/performance suitably in the intended application

Version: 1NIN

Revised: April 2020

HP	RPM	Voltage	Amps	Const.	Frame	Insul.	Torque	P. Code	Wgt lbs	Rated
2	1750	180Vdc	10,77	TEFC	145TC	Class H	72 in/lbs	K (SCR)	55	IP45

MM2018FC